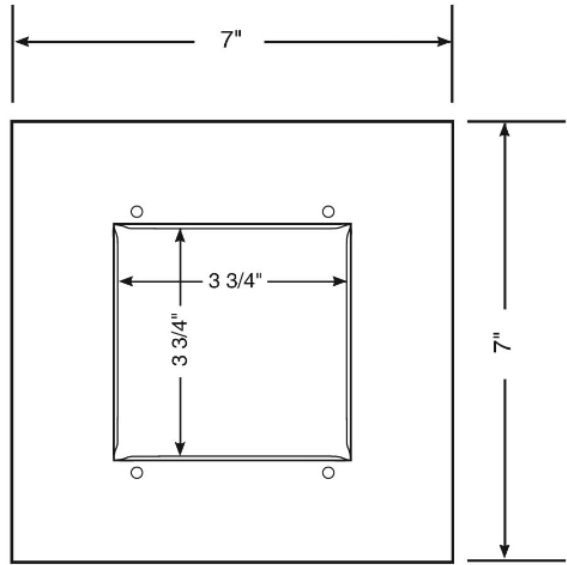
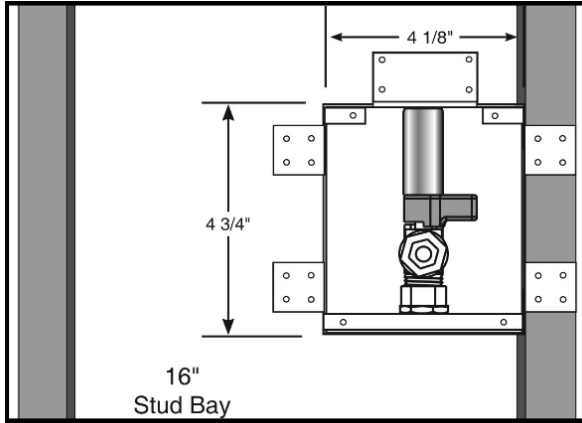




White Powder Coated Ice Maker Outlet Box
With Lead Free Hammer Arrester Valves



SPECIFICATION

Furnish and install recessed, white powder coated ice maker outlet box. Ice maker outlet box shall have a brass plated, quarter turn hammer arrester valve meeting Lead-Free requirements NSF61-NSF/ANSI 372. Valve shall feature either Mylar® tag and AB1953 stamping or white handle and check-mark logo for easy Lead-Free identification. Unit shall be Guy Gray™ product code checked below as manufactured by IPS Corporation.

Product Code #	Product Description	Model Number	Units/Case
88531	Brass Qtr Turn Hammer Arrester Valve, Installed, 1/2" Sweat Conx.	MIB1HAAB	5
88533	Brass Qtr Turn Hammer Arrester Valve, Installed, 1/2" CPVC Conx.	MIB2HAAB	5
88513	Brass Qtr Turn Hammer Arrester Valve, Installed, 1/2" F1807 Conx.	MIB3HAAB	5
88515	Brass Qtr Turn Hammer Arrester Valve, Installed, 1/2" F1960 Conx.	MIB4HAAB	5

